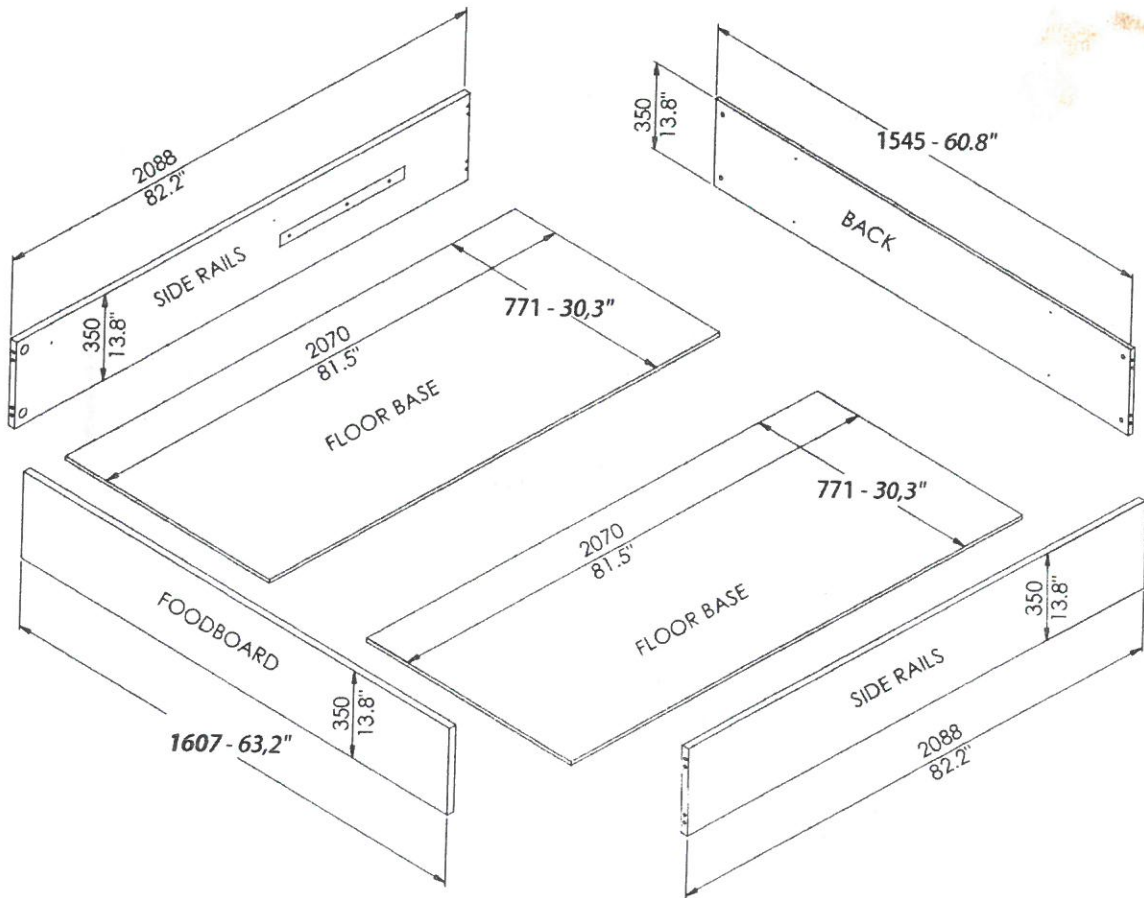
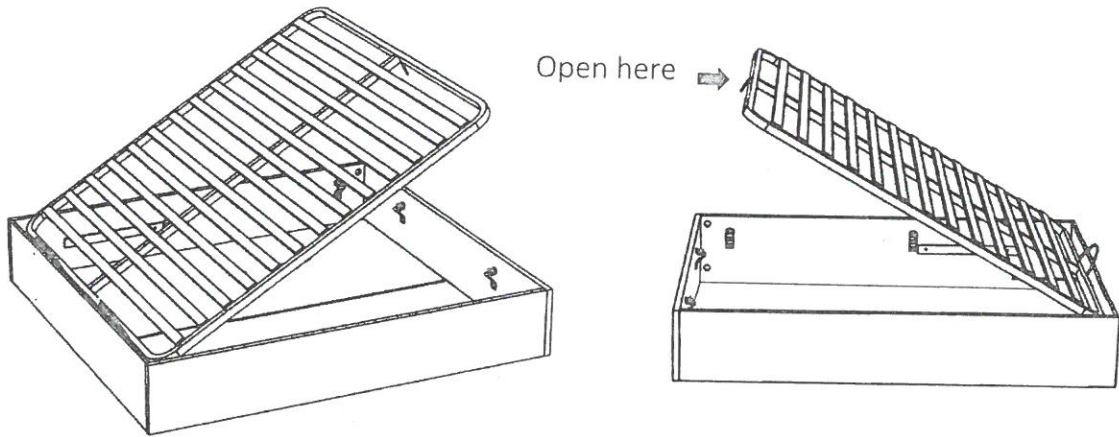


BAÑERA RECTA ELEVABLE / BED FRAME RECTA WITH STORAGE

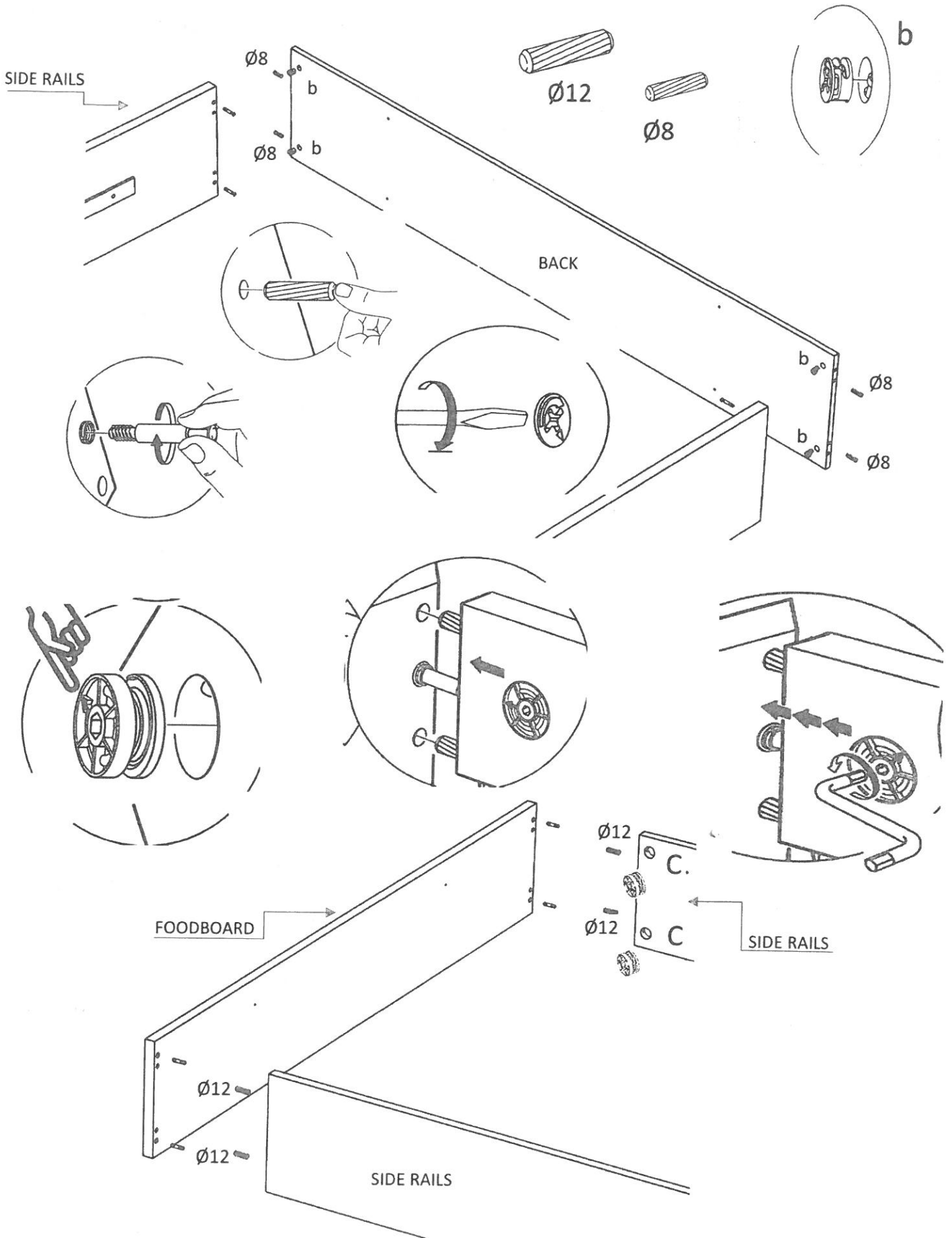
Queen Size - QS



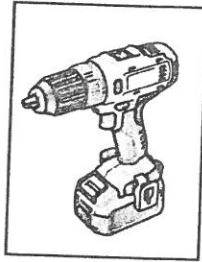
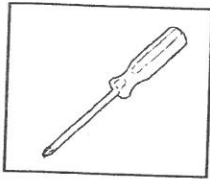
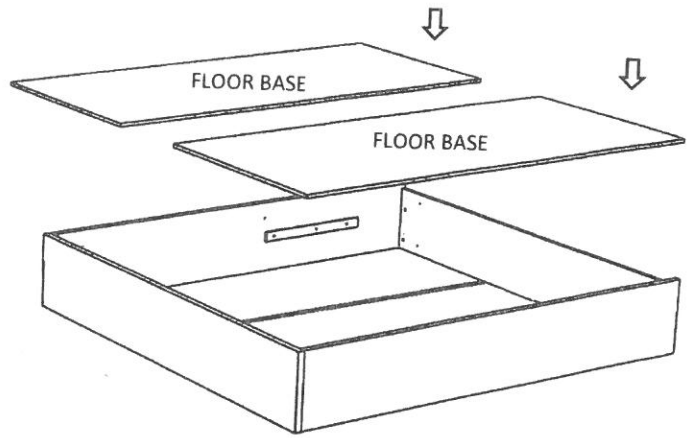
www.esf.cc



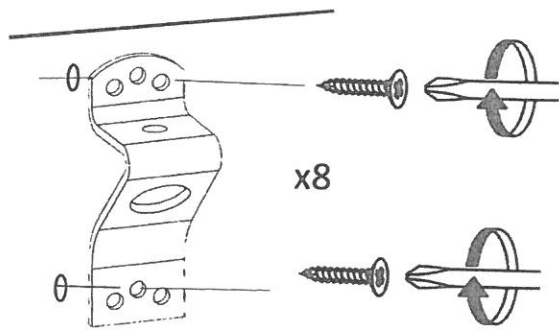
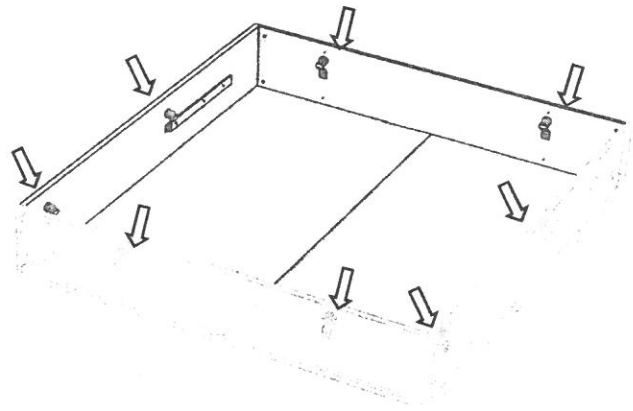
STEP 1.- ASSEMBLE BASE CARCASS



STEP 2.- PLACE FLOOR BASES

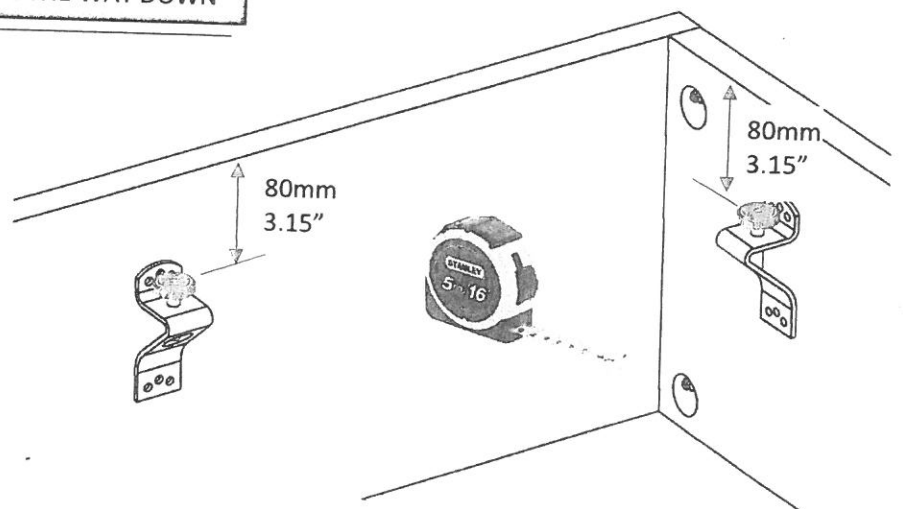


STEP 3.- MOUNT METAL SUPPORTS

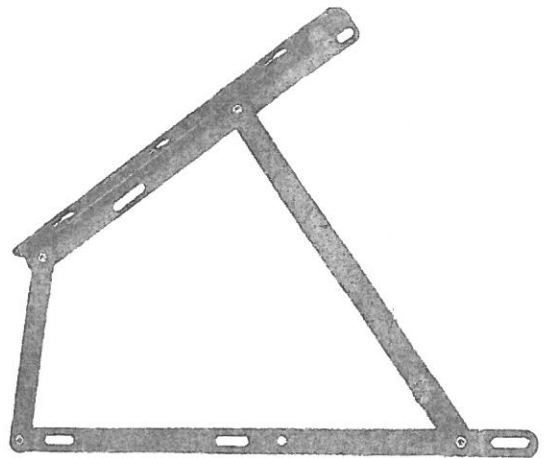
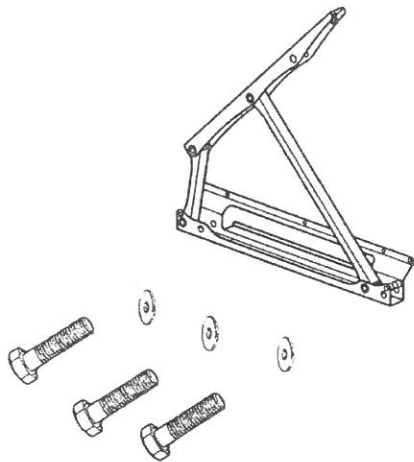


STEP 4.- SET HEIGHT REGULATER

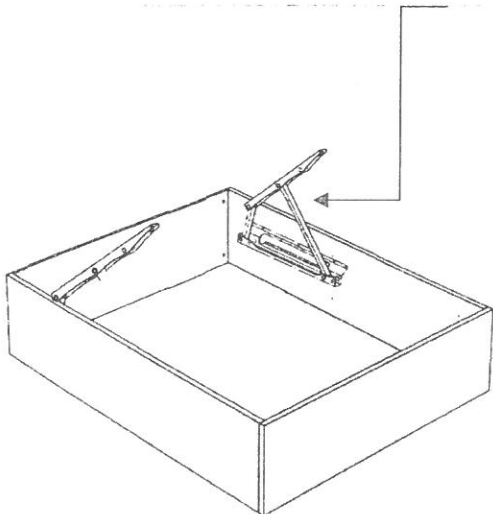
IMPORTANT: SCREW ALL THE WAY DOWN



STEP 5 .- FIX COMPASS TWO SIDE RAILS

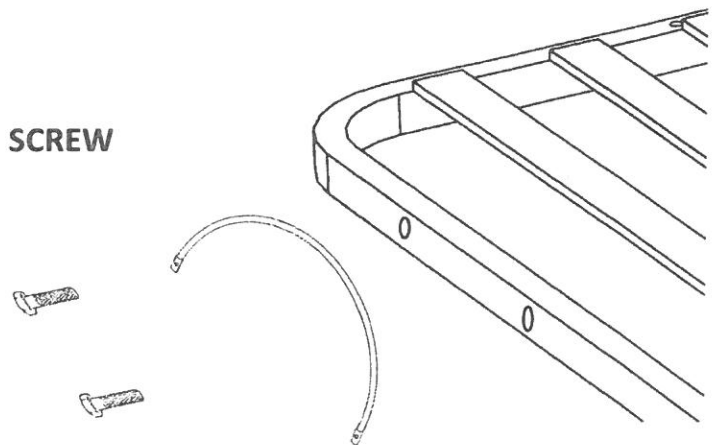


NOTE: IMPORTANT DO NOT FIX THE PUMP AT THIS STAGE



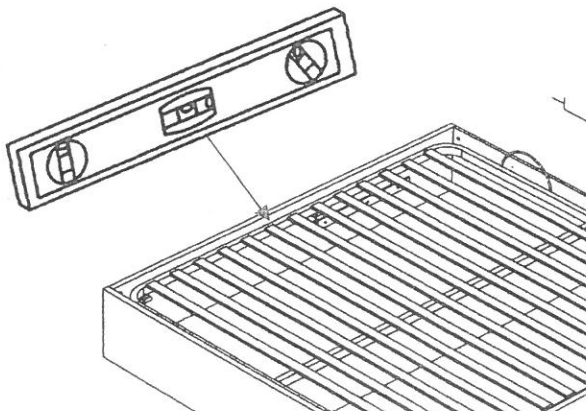
STEP 6.- ATTACH SLAT STOP ARC

SCREW



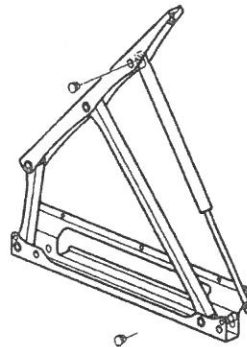
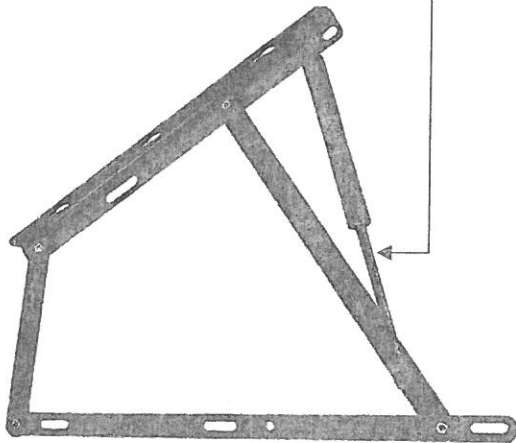
STEP 7 .- REGULATE TO BE COMPLETELY FLAT

CLOSE COMPASS AND PLACE FLAT SIMPLY ON TOP TO REGULATE HEIGHT

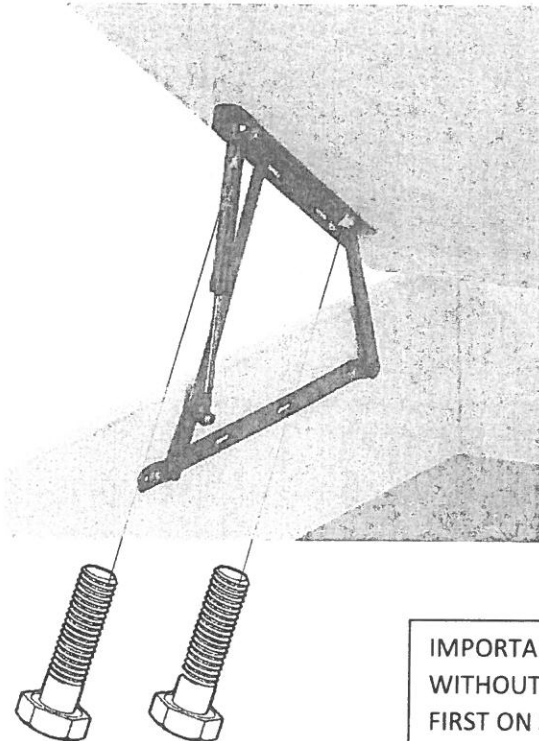


STEP 8 .- SIX PUMP

"Thin tube of the hydraulic pump should face down"



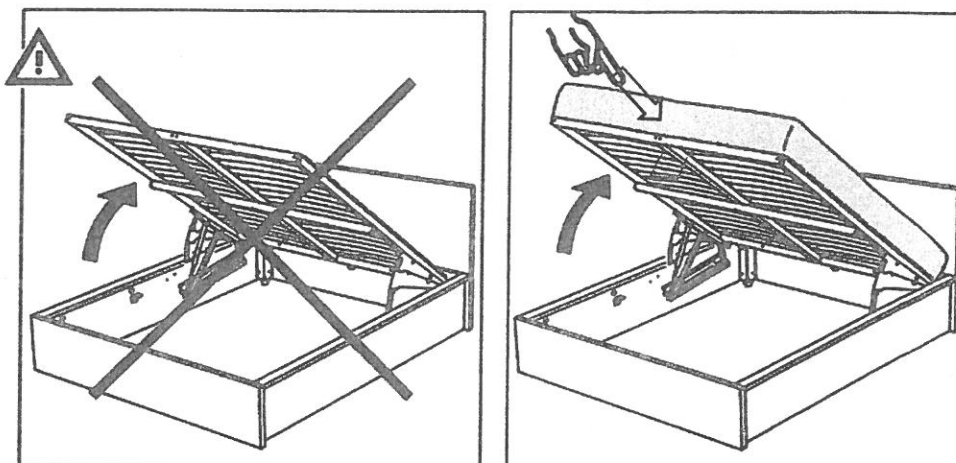
STEP 9 .- CONNECT SLAT OR UPHOLSTERED BASE TO COMPASS



IMPORTANT: DO NOT CLOSE
WITHOUT PLACING MATTRESS
FIRST ON SLATE

STEP 10 .- CLOSE STORAGE BED FROM THE MIDDLE

Do NOT close if you have not place the mattress on the slat frame **FIRST**



STEP 11 .- ATTACHE BASE TO HEADBOARD

